

Extraction Arm KUA-2/3/4

System specifications

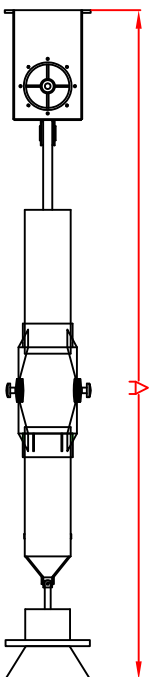
Usage temperature: Max 194°F/90°C
 Air Flow: 450-700 cfm/765-1190 m³/h
 Material: Aluminum
 Rotation: 360°
 Hose diameter: ϕ 6.25"/160mm
 Hood opening: ϕ 11.8"/300mm

Hose Specification

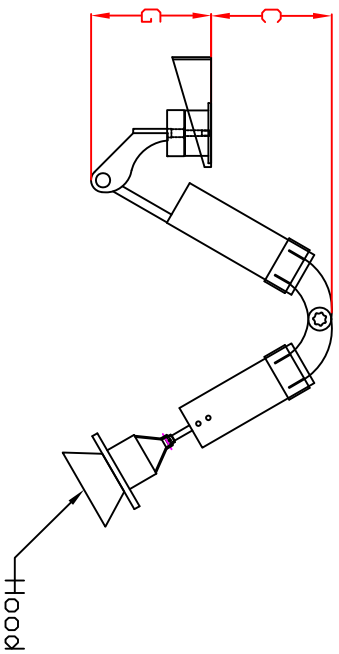
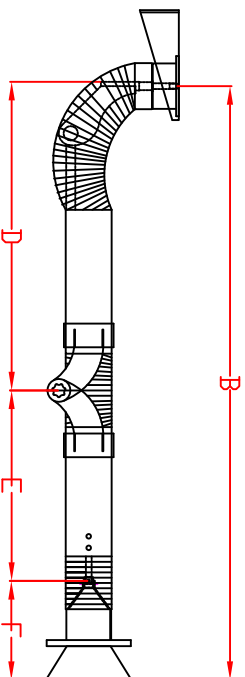
Helix: Steel framework
 Material: PVC coated polyamide
 Color: Black

*Hose removed for clarity in top and side view

Dimensional Data/Weights			
	KUA-2	KUA-3	KUA-4
A	91-15/16"/2.34m	132-1/4"/3.36m	159-5/8"/4.05m
B	81-1/2"/2.07m	121-13/16"/3.09m	149-3/16"/3.79m
C	16-9/16"/0.42m	36-5/16"/0.92m	48-1/16"/1.22m
D	42-3/8"/1.08m	65-1/8"/1.65m	78-11/16"/2.0m
E	26-1/8"/0.66m	43-5/8"/1.11m	57-7/16"/1.46m
F	13-9/16"/0.34m	13-9/16"/0.34m	13-9/16"/0.34m
G	16-1/2"/0.42m	16-1/2"/0.42m	16-1/2"/0.42m
Max. working radius	6.6'/2m	9.8'/3m	13.1'/4m
Weight	44 lbs/20 kg	52 lbs/23.5 kg	56 lbs/25 kg
Qty.			



TOP VIEW W/ WALL BRACKET



Disclaimer: The intended use of this drawing is to provide general equipment dimensions. The information provided is confidential and proprietary to Plymovent NA and is not to be recreated, modified and/or otherwise distributed without written consent of Plymovent NA. There are no expressed or implied warranties concerning the accuracy, completeness, reliability, or usability of this information. Use of this or any Plymovent NA drawing for purposes other than its intended use is unlawful and actions may be taken against the violating party(s).

Job name:	DWG BY: JP	Revision: 3	Rev. date: 11/09/10
Engineer:	PLYMOVENT NORTH AMERICA 115 MELRICH ROAD CRANBURY N.J. TEL: (609) 395-3500 FAX: (609) 655-0919 WWW.PLYMOVENT.COM		
Customer:	KUA		